



**EASTERN MEDITERRANEAN UNIVERSITY  
FACULTY OF ENGINEERING  
DEPARTMENT OF MECHANICAL ENGINEERING**

**MENG 104 ENGINEERING GRAPHICS  
(FALL 2019-2020)**

**HOMEWORK 1 DRAWING PROBLEMS**

**STUDENT'S**

**NAME, SURNAME:**.....

**NUMBER** :.....

**GROUP NO** :.....

**NOTES**

The constructions in Fig. 1 are to be drawn in pencil on Layout A-3, and the Fig.2. is to be drawn on Layout A4. Draw all construction lines *lightly*, using a hard lead (2H to 4H), and all required lines dense black with a softer lead (2B to 3B). If construction lines are drawn properly that is, *lightly they* need not be erased in the final drawing.

**Prob.1** Using Layout A3, divide working space into six equal rectangles and draw lines as shown in Fig.1. In the first two spaces, draw conventional lines to match those in Fig.3.9. In remaining spaces, locate centers C by diagonals, and then work constructions out from them. Omit the metric dimensions and instructional notes.

**Prob.2** Using Layout A4, draw in pencil the Geneva cam in Fig. 2. Omit dimensions and notes,

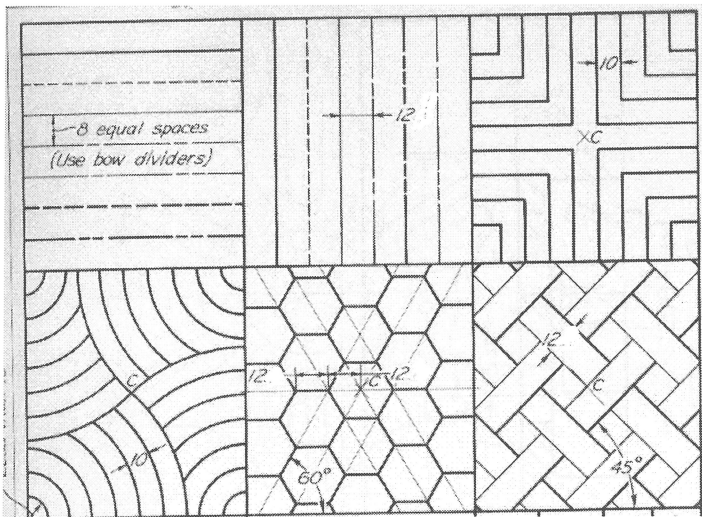


Figure 1

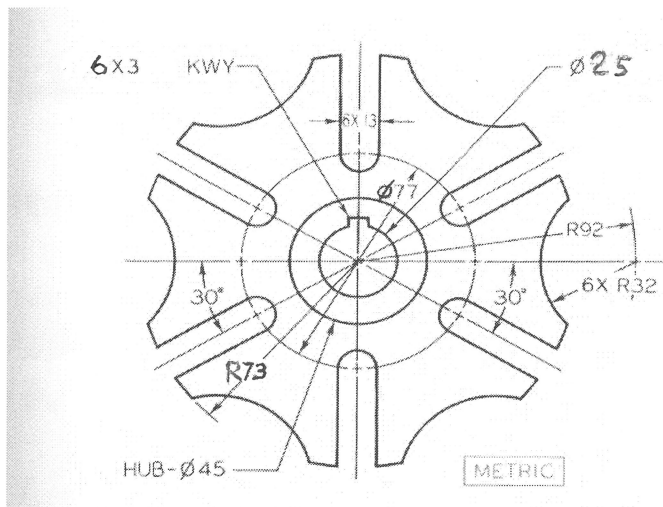


Figure 2